



Money Point



SDM 500 SMALL DEPOSIT MACHINE

SDM 500C // SDM 500H // SDM 500S // SDM 500CB // SDM500 HB

SDM 500



SDM 500 represents the perfect solution for retail back office. A small and smart, but high performing **deposit unit**, it is the right solution to meet any of your needs. The extremely compact top plate is made out of an input tray which contains up to 30 banknotes at a time, a simple and functional notes' transport, an exit tray, a top cover customizable in colour and the BV5000 **authenticity sensor certified by the European Central Bank**. The BV5000 bill validator is a full image sensor, which combines the most innovative technologies on the market, offering improved functionalities and more rooms for possible customizations. The input speed reaches 6 banknotes/sec and is ideal to manage medium cash volumes.

The "bundling" function is available, allowing to bundle the banknotes before they get put in the bag. A user-friendly interface completes the work: the operator identifies himself through the Dallas key or the card reader and follows his deposit on a touch screen, and then prints his own receipt.

CAOS, the device operating software, when integrated to the bank system, will enable to recover all data to have the possibility of immediate crediting on one's own account.

The rejection notes go to the exit tray, while accepting notes are dropped into the bag inside the safe.

The device offers three different kinds of bags: **the high capacity canvas bag** containing up to 10,000 notes and locked by a cover and a manual seal, **the heat-sealing disposable bag** containing up to 4,000 notes, and finally, the brand **heat-sealing stacking bag**, containing up to 3,000 notes. The big advantage of these two self-sealing bags is that they do not release the safe's opening just once they have completely sealed, thereby **allowing the money collection by one individual operator**, and no longer two according to the usual procedure, which results in a remarkable cost saving.

Thanks to its competitiveness and high speed, SDM 500 is perfect for the retail, gambling halls, amusement parks and gas stations, chemist's shops, cinemas, public transport companies and any time you want to cut off the money counting (in particular with the stacking solution) and optimize the CIT service.

SDM 500 is the ideal solution to optimize the back-office of a small-retailer, having up to 10 cash points.

- **High speed: up to 6 notes/second**
- **Full-image authenticity sensor**
- **Disposable bag: heat-sealing bag and stacking bag**
- **In the version with heat-sealing and stacking bag the safe can be opened just once the bag has self-sealed**
- **Availability of the receipt removal by the CIT in the heat-sealing bag**
- **High capacity canvas bag (10,000 banknotes)**
- **Thanks to the "bundling" device, possibility to bundle the banknotes before they get into the bags**
- **Possibility of remote management through the C-Link platform**

TECHNICAL SPECIFICATIONS

SAFE AVAILABLE IN

Steel StrongBox (8mm),
UL291 24 H, CEN L, CEN III, CEN IV

WEIGHT

From 170 Kg to 395 Kg according to the configuration

ELECTRICAL FEATURES

Voltage 90-240 VAC
Frequency 50-60 Hz
Power input process 170 W

CONNECTIONS

RS232 serial port, USB, Ethernet

DEPOSIT CAPACITY

Up to 10.000 banknotes with canvas bag
Up to 4.000 banknotes with heat-sealing bag
Up to 3.000 with stacking bag

- These capacities are the same also when combined with the bundling

BILL VALIDATOR

Full-image sensor
Authenticity ECB certified
Possibility of multi-currency operation

DEPOSIT SPEED

Up to 6 notes/s

SIZE OF THE PROCESSED BANKNOTES (standard configuration)

Length
from 100 mm to 190 mm
Width
from 60 mm to 82 mm

THE INTERFACE INCLUDES

- Thermal printer 58 mm
- Colour Touch screen TFT 5.7"
- PC board
- Hard disk
- Dallas key

OPTIONS

- UPS
- Card reader
- Additional bags
- Bar code integrated

CASH DEPOSIT



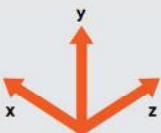
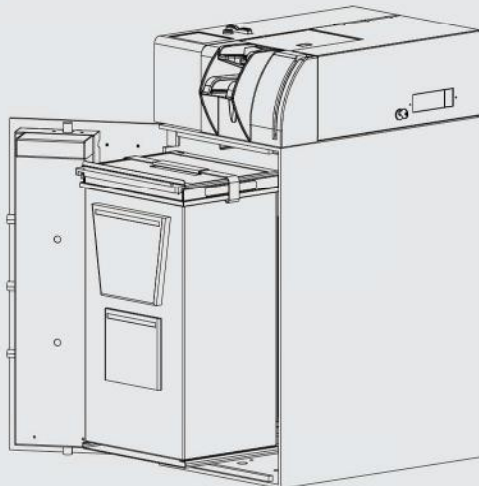
SDM 500H



SDM 500S



DIMENSIONS



- StrongBox (8mm)
460mmx 600mmx 950mm(H)
- UL291 24 H
460mmx 600mmx 950mm(H)
- CEN L
460mmx685mmx 995mm(H)
- CEN III
460mmX 685mmX 995mm(H)
- CEN IV
460mmX685mmX 995mm(H)



Money Point Limited is a Dublin based company providing Cash Handling Solutions to Businesses. The Money Point concept is to provide and install systems that are easy to operate, keeping knowledge specialist information to a minimum, and productivity to a maximum.

Unit 19, Turvey Business Centre, Turvey, Co. Dublin, Ireland
Phone +353 1 8900466 Fax +353 1 8900575
Email info@moneypoint.ie Web www.moneypoint.ie